

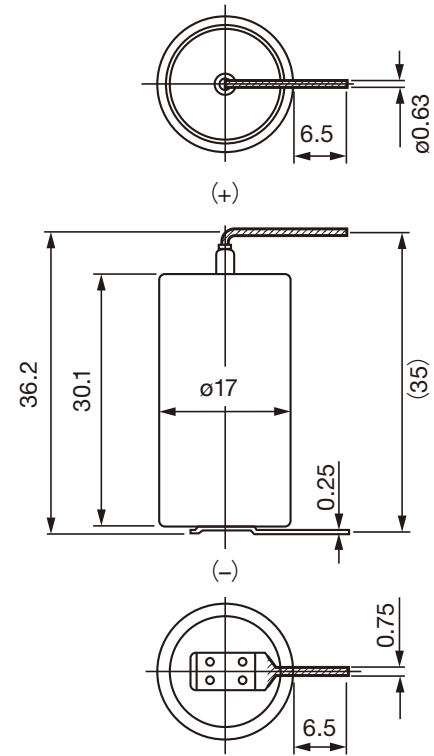
# ER17/33 (1600mAh)

## Diagrams of Batteries with Terminals

### External Dimensions (unit: mm)

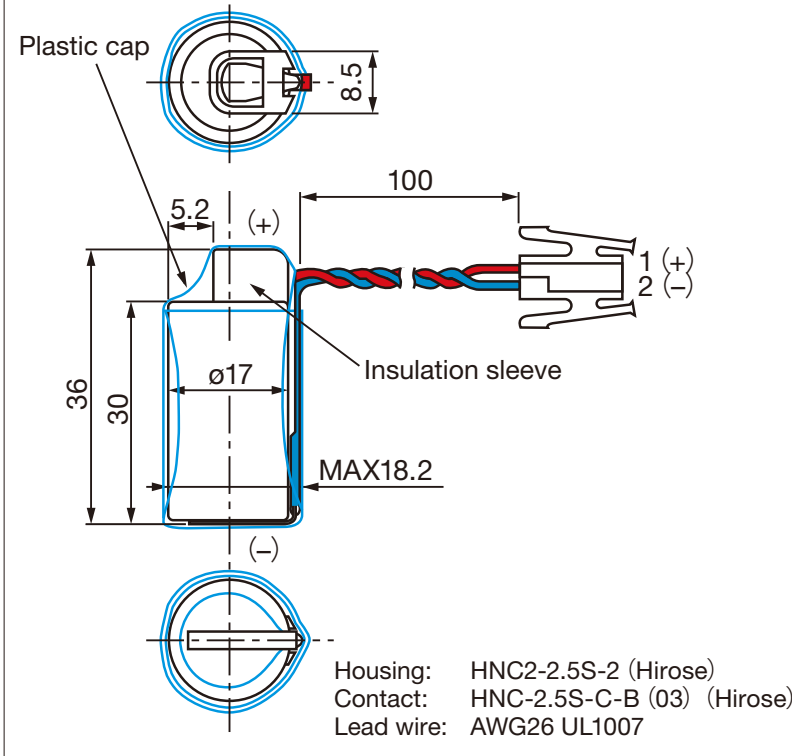
● Horizontal & Through hole Type

**ER17/33 #2 PC**



● Wire connector Type

**ER17/33 WKP**



: Tin plating