

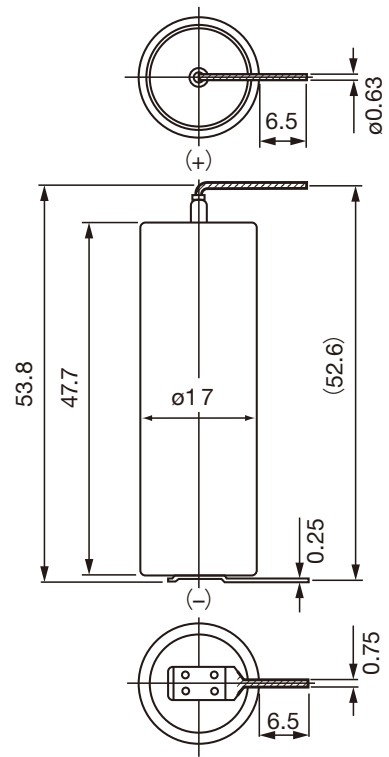
ER17/50 (2750mAh)

Diagrams of Batteries with Terminals

External Dimensions (unit: mm)

- Horizontal & Through hole Type

ER17/50 #2 PC



 : Tin plating