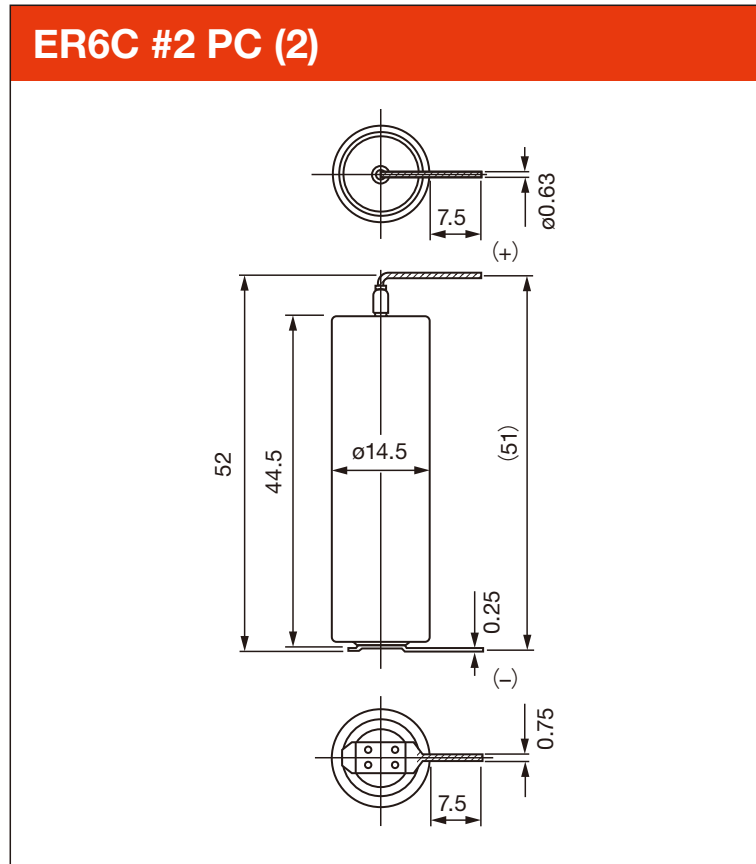


ER6C (1800mAh)

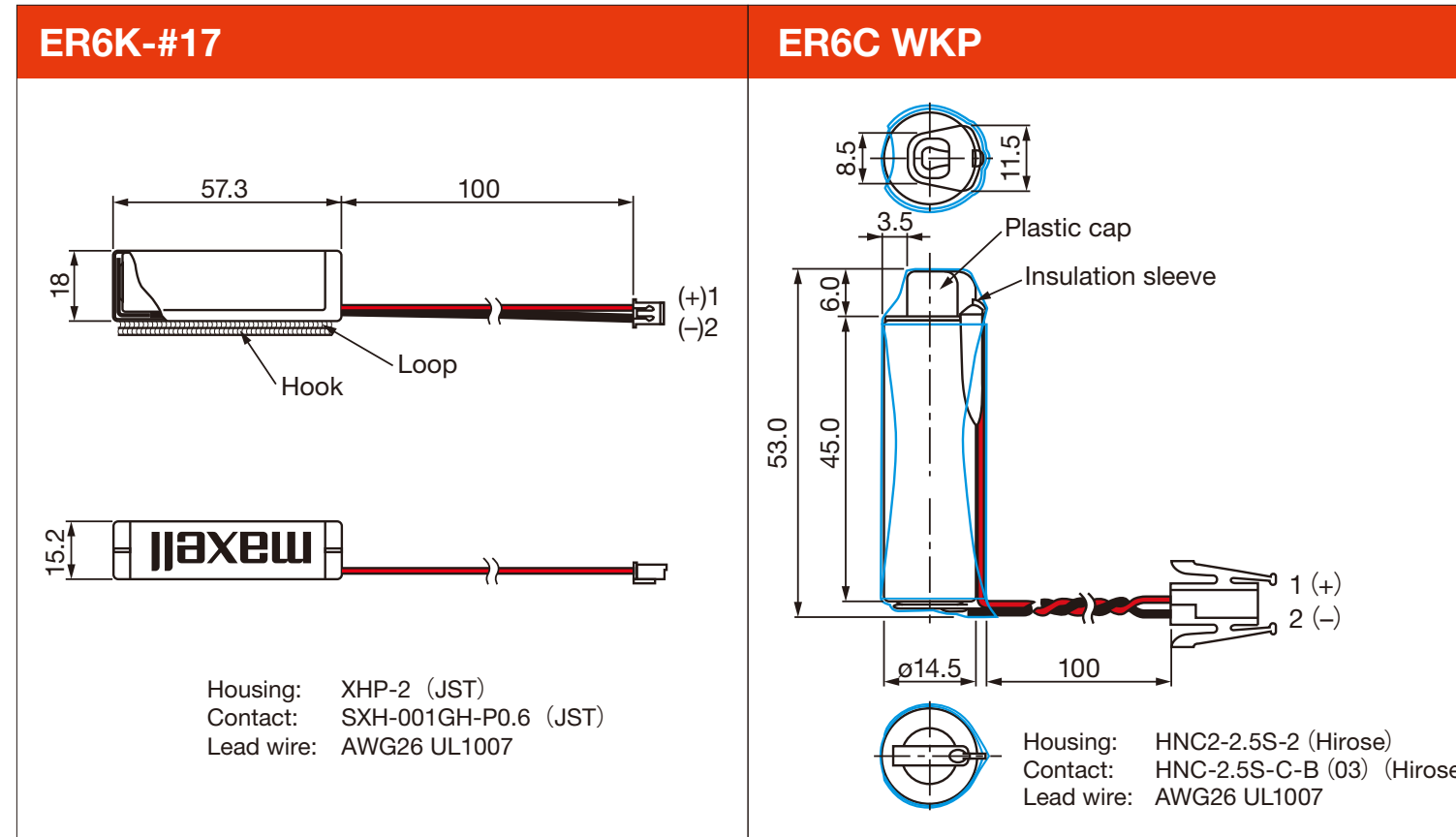
Diagrams of Batteries with Terminals

External Dimensions (unit: mm)

● Horizontal & Through hole Type



● Wire connector Type



: Tin plating