

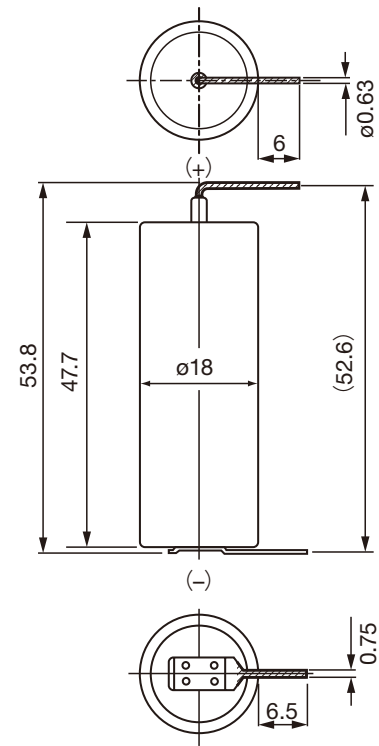
# ER18/50 (3650mAh)

## Diagrams of Batteries with Terminals

### External Dimensions (unit: mm)

- Horizontal & Through hole Type

#### ER18/50 #2 PC



 : Tin plating